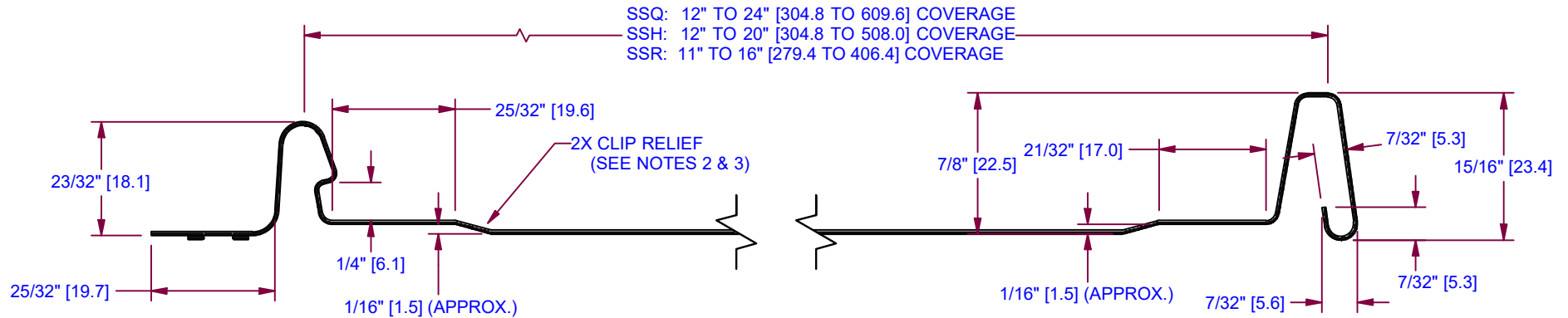
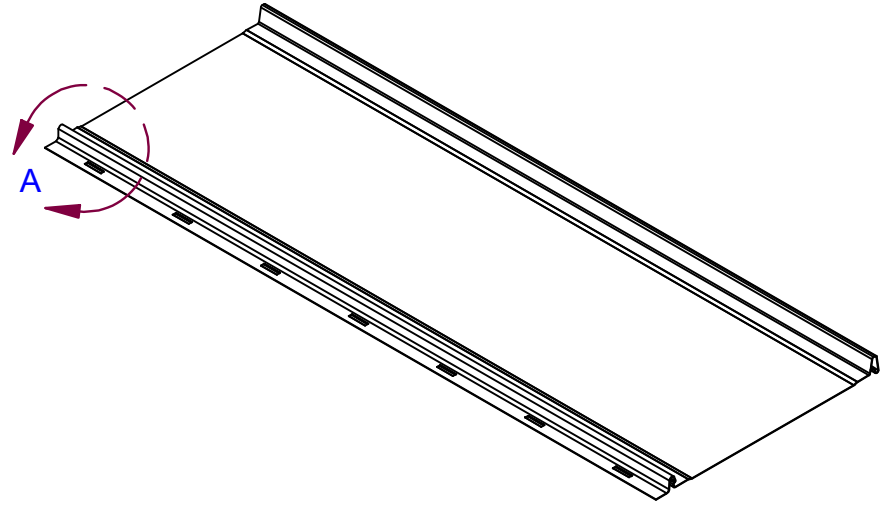


1" x 1/4" SLOT  
EQUALLY SPACED  
EVERY 5 3/16"

**DETAIL A**



1

- NOTES:
1. MATERIAL USAGE: 4 1/16" APPROX.
  2. CLIP RELIEF ROLLERS ARE STANDARD WITH THIS PANEL.
  3. PANEL IS SHOWN WITH CLIP RELIEF ROLLERS ENGAGED.
  4. DUAL DIMENSIONS: Inch [mm]

MATERIAL		PAINTED STEEL/PAINTED ALUMINUM/ COPPER			FINISH	NONE
REVISION HISTORY	REV	ECR NO.	DATE	RELEASED BY	TOLERANCES	
	1				.XX = ± .01	
	2				.XXX = ± .005	
	3				FRACTION = ± 1/32"	
					ANGLE = ± 1/2'	

		<b>American Metal Roofing Supply</b>	
DRAWN BY	PART NAME	<b>1" Nail Strip (Cliplless)</b>	
DATE			
CHECK BY	PART NUMBER	<b>AMRS 100NS</b>	
DATE		SHEET	REVISION
		1 OF 1	1