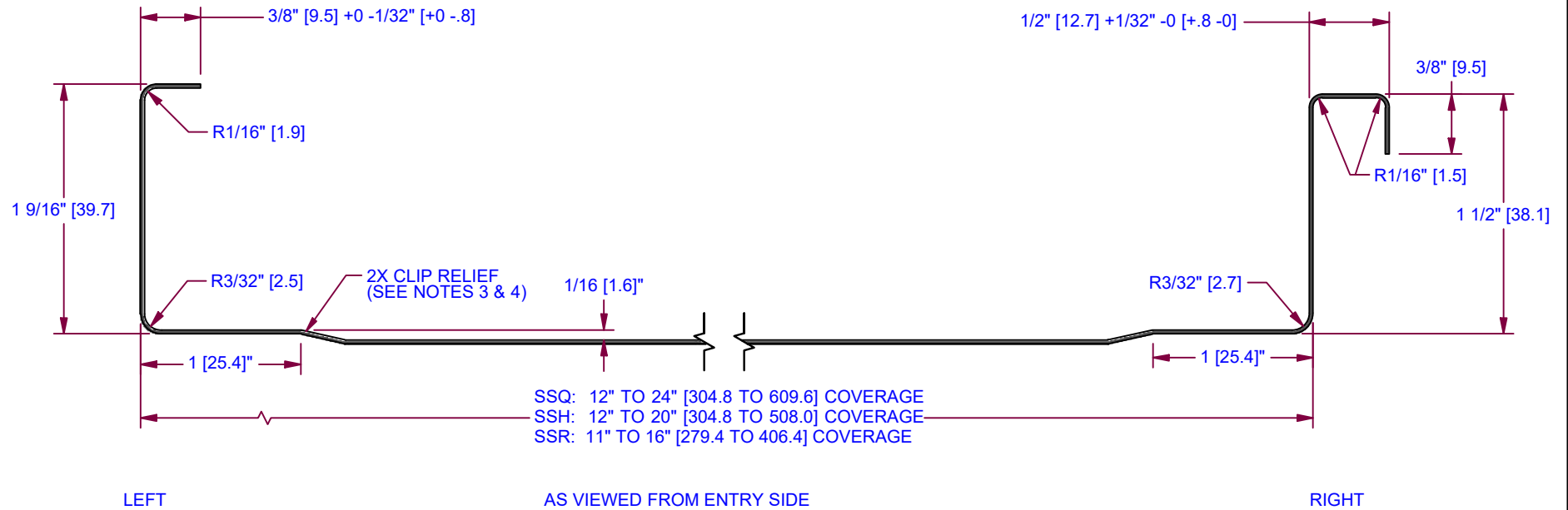
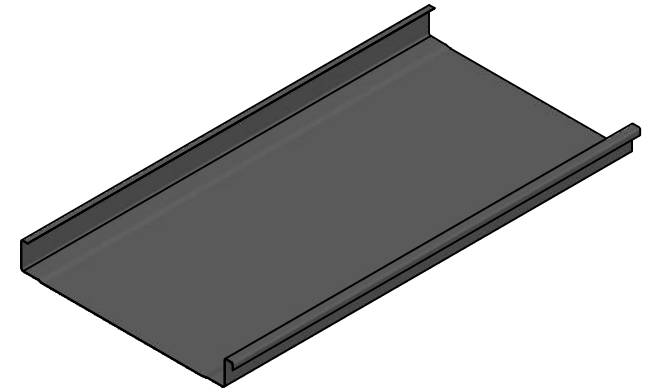


1



- NOTES:
1. MATERIAL USAGE: APPROX. 4" [101.6] APPROX.
 2. CLIP RELIEF ROLLERS ARE STANDARD WITH THIS PANEL.
 3. PANEL IS SHOWN WITH CLIP RELIEF ROLLERS ENGAGED.
 4. OPTIONAL MINOR BEAD RIB OR STRIATIONS AVAILABLE.
 5. DUAL DIMENSIONS: Inch [mm]

MATERIAL				FINISH		DRAWN BY		PART NAME		
PAINTED STEEL/PAINTED ALUMINUM/COPPER				NONE		DATE		1.5" Mechanical Seam		
REVISION HISTORY	REV	ECR NO.	DATE	RELEASED BY	TOLERANCES		CHECK BY	PART NUMBER	SHEET	REVISION
	1				.XX = ± .01		DATE	AMRS 150MS	1 OF 1	1
	2				.XXX = ± .005					
	3					FRACTION = ± 1/32"				
	4					ANGLE = ± 1/2'				
5										



American Metal Roofing Supply

1.5" Mechanical Seam

AMRS 150MS

1 OF 1

1