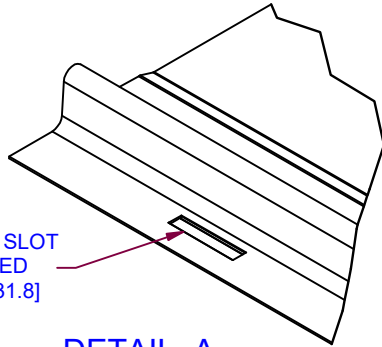
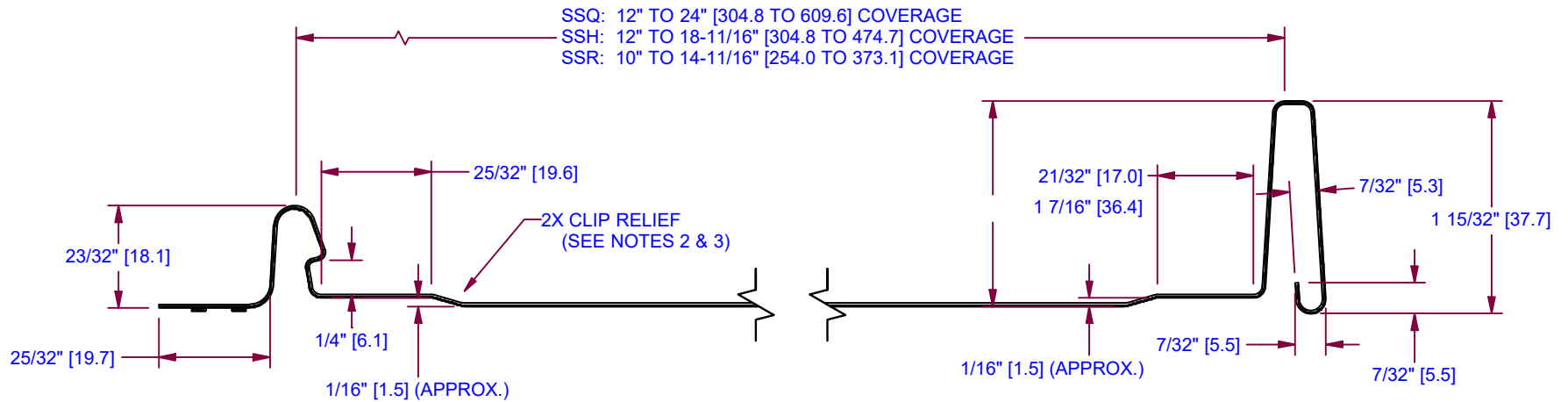
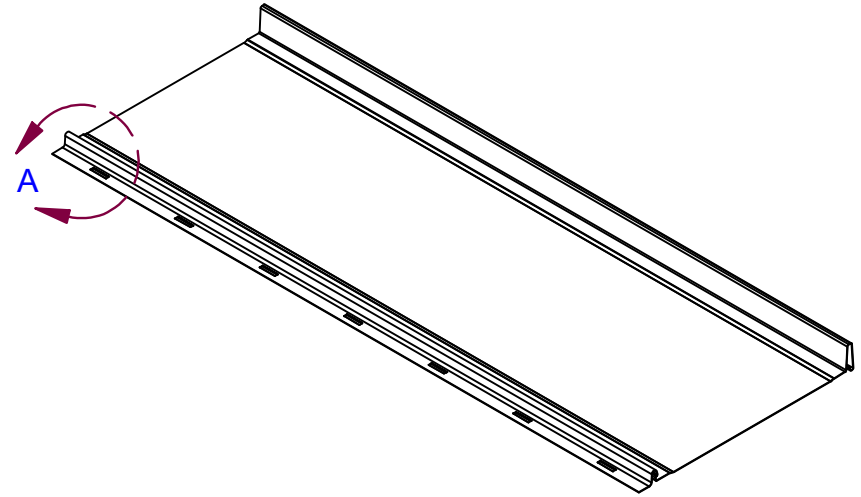


1" x 1/4" [25.4 x 6.4] SLOT
EQUALLY SPACED
EVERY 5 3/16" [131.8]




DETAIL A



1

- NOTES:
1. MATERIAL USAGE: 5 5/16" APPROX.
 2. CLIP RELIEF ROLLERS ARE STANDARD WITH THIS PANEL.
 3. PANEL IS SHOWN WITH CLIP RELIEF ROLLERS ENGAGED.
 4. DUAL DIMENSIONS: Inch [mm]

MATERIAL PAINTED STEEL/PAINTED ALUMINUM/ COPPER				FINISH NONE	
REVISION HISTORY	REV	ECR NO.	DATE	RELEASED BY	TOLERANCES
	0	TENTATIVE	11/02/2007		.XX = ± .01
	1	R-1538	05/21/2008		.XXX = ± .005
	2	R-1796	09/22/2011		FRACTION = ± 1/32"
3	R-2368	6/11/2020			ANGLE = ± 1/2'

 American Metal Roofing Supply	
DRAWN BY DATE CHECK BY DATE	1.5" Nail Strip (Clipless) AMRS 150NS
PART NAME PART NUMBER	SHEET 1 OF 1 REVISION 1